

Instrument mounting Mounting flanges, panel cutouts

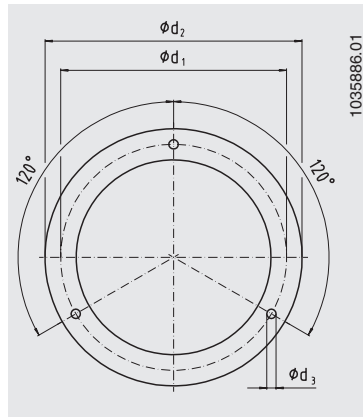
Mounting flanges

Circular housing, without electrical accessories

Front mounting flange for panel mounting

NS	Recommended panel cutout ¹⁾
40	Ø 44 ±0.3 mm
50	Ø 54 ±0.3 mm
63	Ø 67 ±0.3 mm
80	Ø 84 ±0.3 mm
100	Ø 104 ±0.5 mm
160	Ø 164 ±0.5 mm
250	Ø 254 ±0.5 mm

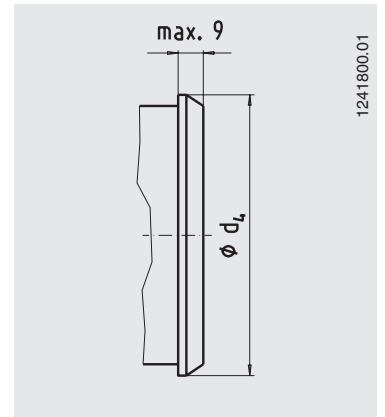
1) With back mount connection



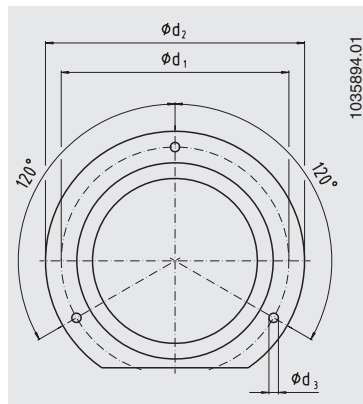
Triangular bezel for panel mounting

NS	Recommended panel cutout ¹⁾
40	Ø 41.5 +0.5 mm
50	Ø 51 ±0.5 mm
63	Ø 64.5 +0.5 mm
80	Ø 82 ±1 mm
100	Ø 102 +1 mm
160	Ø 162.6 +1 mm

1) With back mount connection



Rear mounting flange for surface mounting ²⁾

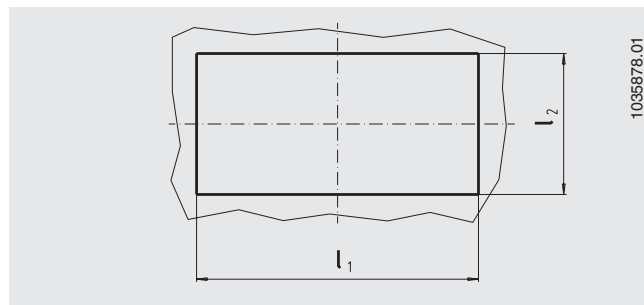


2) For some models this is achieved through three mounting lugs

Nominal size	Dimensions in mm			
	d ₁	d ₂	d ₃	d ₄ max.
40	51	61	3.6	44
50	60	71	3.6	55.5
63	75	85	3.6	69
80	95	110	4.8	88
100	117	132	4.8	108
160	178	196	5.8	168
250	270	285	5.8	-

Panel cutout in accordance with DIN 43700

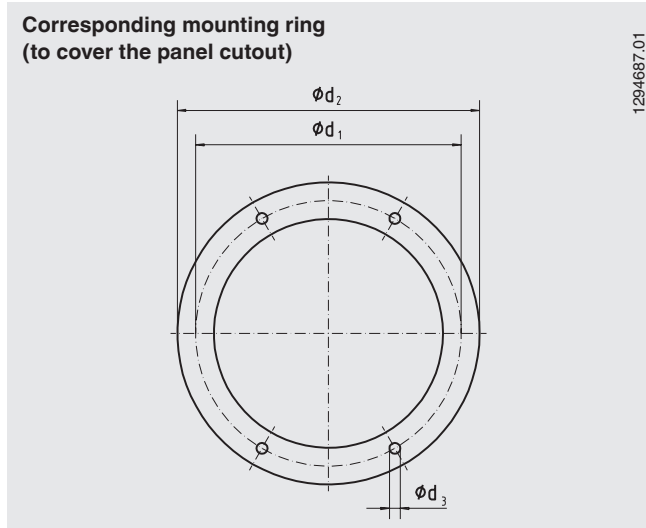
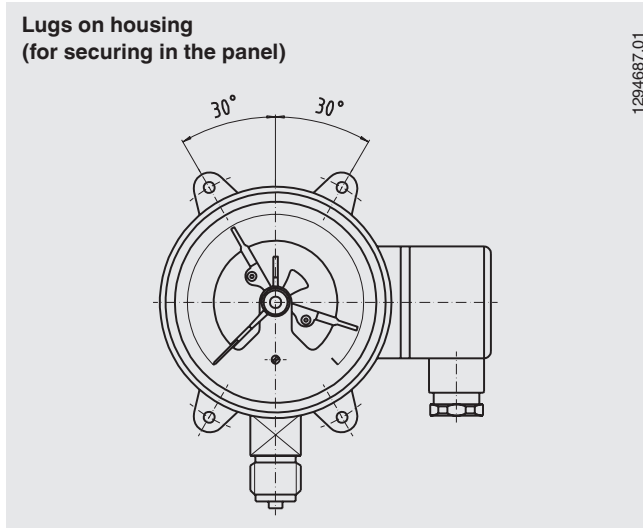
Square and rectangular housings



Nominal size	Dimensions in mm			
	l ₁	Permissible tolerance	l ₂	Permissible tolerance
48 x 24	45	+0.6	22.2	+0.3
72 x 36	68	+0.7	33	+0.6
72 x 72	68	+0.7	68	+0.7
96 x 96	92	+0.8	92	+0.8
144 x 72	138	+1.0	68	+0.7
144 x 144	138	+1.0	138	+1.0

Panel mounting flange

Circular housing, with electrical accessories



Nominal size	Dimensions in mm			
	d_1	d_2	d_3	Panel cutout ϕ
100	116	132	4.8	105
160	178	196	5.8 ¹⁾	165

1) Mounting lugs with M5 internal thread

Mounting principle with front mounting flange

with electrical accessories

